

POSITIVE DISPLACEMENT PUMPS



Model PD3 Pump

# CONSISTENT, RELIABLE, TIME-TESTED CONVEYING

Positive Displacement Vacuum Pumps are designed for long distance, high-volume material conveying.\*

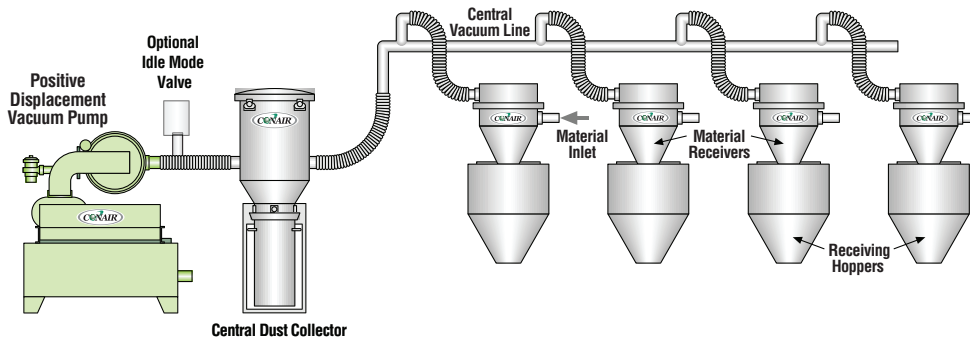
Each model employs a powerful, rotating lobe-type blower, protected by a vacuum relief valve (factory-set to 12" Hg) and belt driven by a three-phase motor with magnetic starter and overload protection. An integral pump protection filter is included. All components are mounted on a rugged frame that houses an integral exhaust muffler. An optional sound enclosure may be added to reduce noise.

## HIGH-PERFORMANCE VACUUM CONVEYING POWER

Six models are provided for a complete range of vacuum power for your resin conveying application. When coupled with our extensive line of vacuum receivers, dust collectors and control systems, Conair's positive displacement pumps will provide you with the longest, low-maintenance vacuum conveying performance in the industry.

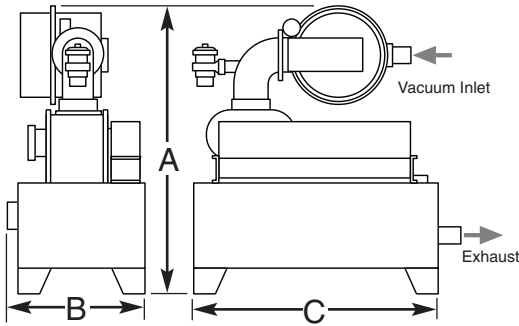
\* Every vacuum conveying application should be assessed by Conair engineers to apply the appropriate equipment.

- **Rotating lobe vacuum blower**  
The most powerful vacuum source available.
- **Pump protection filter included**  
14 square foot filter protects the pump against damage from resin dust.
- **Easy maintenance**  
All service components are within easy reach.
- **Ready to install**  
Includes vibration pads, vacuum gauge, vacuum relief valve and magnetic starter.
- **Powerful and reliable**  
Expect years of service with minimal attention.



# SPECIFICATIONS

# POSITIVE DISPLACEMENT PUMPS



\* Energy-saving, high efficiency motors are also available.

MODEL	PD5	PD7.5	PD10	PD15	PD25
<b>Motor Type*</b>	TEFC	TEFC	TEFC	TEFC	TEFC
<b>PERFORMANCE</b>					
Horsepower	5	7.5	10	15	25
Standard CFM at Material Pickup Point @ 10" Hg	76.6	121.2	154.5	201.1	346.2
Average Sound Level (dbA) @ 8", 10" and 12" Hg	86.3	86	85.8	88.8	93
<b>DIMENSIONS inches and millimeters {mm}</b>					
Standard Inlet Size (OD)	1.75 {44}	2.25 {57}	2.5 {64}	3.0 {76}	4.0 {102}
Exhaust Line Size (OD)	2.5 {64}	2.5 {64}	4.0 {102}	4.0 {102}	4.0 {102}
A - Height (H)	37 {940}	41 {1041}	51 {1295}	51 {1295}	52 {1321}
B - Width (W)	35 {889}	35 {889}	39.5 {1003}	39.5 {1003}	39.5 {1003}
C - Depth (D)	27 {686}	27 {686}	33 {838}	33 {838}	34 {864}
Installed Weight / lb {kg}	325 {147}	370 {168}	625 {283}	640 {290}	960 {435}
<b>VOLTAGE / Amps</b>					
240	12.0	18.8	28.0	39.0	59.0
480	6.0	9.4	14.0	19.5	29.5
575	4.8	7.5	10.7	16.0	27.0

# OPTIONAL SOUND ENCLOSURES

Positive Displacement Pumps provide the strongest vacuum power available, but when operated for long periods at high performance levels, noise should be abated if the pump is located near personnel. Sound Enclosures are available for all pump models and provide maximum noise control with minimal space and easy access to pump maintenance areas.

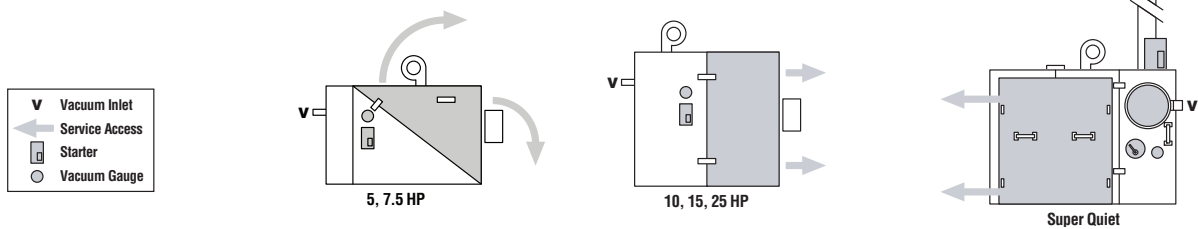
Super Quiet Sound Enclosures include externally mounted protection filter, vacuum gauge and filter gauge; 8 ft exhaust stack (for noise); and easy access, tool-free front door.



5 HP Pumps in Sound Enclosures



Super Quiet Sound Enclosure (with Dust Collector)



## SPECIFICATIONS FOR PUMPS WITH SOUND ENCLOSURES

Specifications not listed below are the same as those listed above. All Sound Enclosures include a cooling fan 115 VAC @ 2 amps.

MODEL	PD5	PD7.5	PD10	PD15	PD25	SUPER (ANY MODEL)
<b>PERFORMANCE</b>						
Average Sound Level (dbA) @ 8", 10" and 12" Hg	69.8	76.2	79.3	86.0	90.0	Under 60 dbA
Enclosure Construction	Painted Steel		Natural Aluminum		Painted Steel	
Allowance Space for Service Access / inches	48 (Opposite Vacuum Inlet)		36 (Opposite Vacuum Inlet)		36 (Front, Next to Filter)	
<b>DIMENSIONS inches and millimeters {mm}</b>						
A - Height	49 {1245}		64 {1626}		96 {2438}	
B - Width	54 {1372}		55 {1397}		70 {1778}	
C - Depth	32 {813}		36 {914}		50 {1270}	

**SPECIFICATION NOTE:**  
Specifications can change without notice. Contact your Conair representative for the most current information.

