

## MOBILE SURGE BINS



Model MB44-10  
(Shown with optional two-piece cover, 4-way vacuum ports, and casters.)

## MOBILE STORAGE; EASY ACCESS

Conair offers a complete line of in-plant mobile surge bins for convenient storage of a variety of materials. Stackable Conair Mobile Surge Bins accommodate your storage needs with a range of bin capacities from 10 ft<sup>3</sup> to 50 ft<sup>3</sup>.<sup>\*</sup> For critical applications requiring a contamination-free environment, bins can be constructed in stainless steel with or without lids.

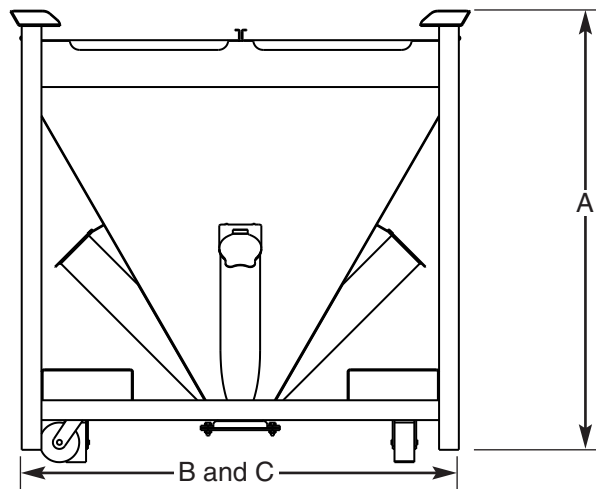
<sup>\*</sup>Usable volume based on a 30° angle of repose.

## MOBILE STORAGE FOR BLENDED OR VIRGIN MATERIALS

- **Wide range of capacities**
- **60° hopper cone ensuring material flow for most materials**
- **Stack up to 3 bins for space conservation**
- **Bottom drain for easy material removal**
- **Heavy duty 14 gauge steel construction**
- **Oversized vacuum ports - for use with suction wands up to 3 inch diameter**



## MOBILE SURGE BINS



## SPECIFICATIONS

Model	Hopper cone angle (standard)	Width/depth inches {cm} B/C	Height inches {cm} A	Capacity lb {kg}	Usable capacity <sup>†</sup> lb {kg}	Usable volume <sup>†</sup> ft <sup>3</sup> {m <sup>3</sup> }	Shipping weight lb {kg}
MB44-10	60°	44 {112}	43.375 {110.2}	665 {302}	350 {159}	10 {0.28}	525 {238}
MB44-20	60°	44 {112}	55.375 {140.7}	1085 {492}	700 {318}	20 {0.57}	580 {263}
MB44-30	60°	44 {112}	64.375 {163.5}	1470 {667}	1050 {476}	30 {0.85}	625 {283}
MB44-40	60°	44 {112}	73.5 {186.7}	1820 {826}	1400 {635}	40 {1.1}	670 {304}
MB44-50	60°	44 {112}	82.5 {209.6}	2170 {984}	1750 {794}	50 {1.4}	720 {327}

## FEATURES

- Painted carbon steel construction
- Epoxy coated interior
- 4 inch sq. discharge with stainless steel slide gate
- Two-way fork-lift channels for easy stacking
- 60° cone for free and non-free flowing material

## OPTIONS

- 4-way vacuum ports
- Casters\*
- 12 inch discharge opening with flange
- 1 piece, 2 piece sliding cover
- Stainless steel construction
- Special paint
- Bag opening grate and blade

## SPECIFICATION NOTES:

\* Adds 1.25 inches (31.8 mm) to height.

† Usable capacity based on a material with a bulk density of 35 lbs/ft<sup>3</sup> (561 kg/m<sup>3</sup>) with a 30° angle of repose.

Specifications may change without notice. Check with a Conair representative for the most current information.