



CUP-60

LOW-PROFILE UNDER-PRESS GRANULATION

Conair's Under-Press Granulator, the CUP Series, is a low-profile granulator designed for use beneath extrusion lines for the immediate, direct feed of scrap film and web materials. It eliminates the need for long conveyors and conventional granulators that take up valuable floor space. Multiple widths are available to accommodate infeed requirements. An optional sound enclosure provides extra quiet operation.

No need to accumulate scrap for feeding an off-line granulator with the CUP. Its low profile, integrated design make it a crucial, space saving, and fully integrated part of your processing line.

COMPACT GRANULATOR FOR THERMOFORMING

The CUP's compact footprint and low height provide an easy fit below web cutters. Casters allow for simple placement and removal. Optional speed controlled infeed rolls, complete with loop control, can synchronize with your process line speeds for smooth, fully automatic feeding of even the most unwieldy webs and scrap. The cutting chamber drive motors are available in up to 40 Hp {30 kW} sizes, allowing the CUP to rival the performance of conventional full size granulators.

The free standing control system is positioned next to the line for easy access. Quick disconnect plugs connect the control to the CUP, allowing safe, instant mobility for service and cleaning.

■ Integrates easily

CUP Series granulators accommodate line widths from 35 to 59 inches {900 to 1500 mm} with a height of only 23.5 inches {600 mm} making them ideal integration partners for your thermoforming or other sheet lines. Casters allow easy rolling into position below cutters and remote controls mean adjustments and monitoring are close at hand.

■ Quality regrind recycles easily

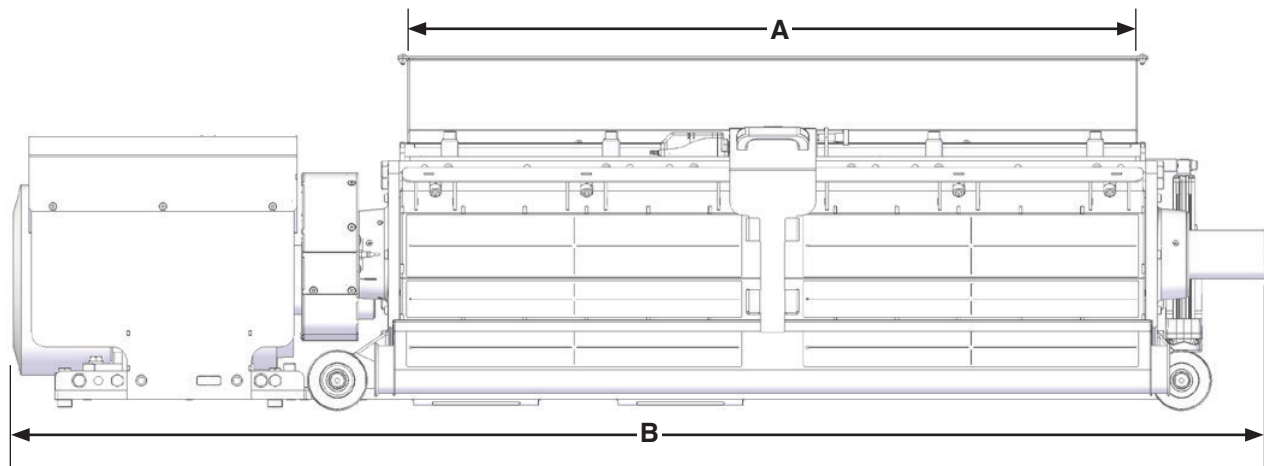
The 12-inch {300 mm} diameter rotor, outfitted with six, eight, or ten rotor knives, cut in a herringbone pattern against bed knives for the most uniform, dust free cutting of sheet scrap and webs. Uniform regrind means reliable, uniform re-processing. An optional open 3-blade rotor is available for CUP-36 and CUP-48 models to reduce heat build up during difficult granulation applications.

■ Easy service

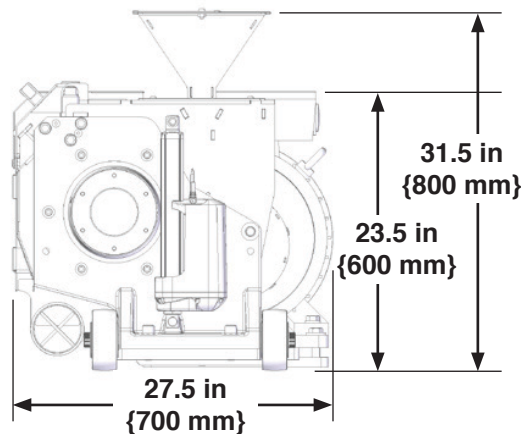
Conair's popular clam shell design allows wide-open access to the cutting chamber, knives and screen, simply and quickly. Highly accurate, yet easily adjustable rotor knives assure a uniform cutting circle, even after multiple knife sharpenings for clean cutting, year after year.



SPECIFICATIONS



Front view



Side view

SPECIFICATION NOTE

* Throughput capacity is provided as a guideline. Throughput will vary according to screen size and the shape, size, and thickness of the material being cut.

Specifications can change without notice. Contact a Conair representative for the most current information.

OPTIONS

- Roll feed**
A roll feed will synchronize with your line speed to feed plastic residue and scrap into the CUP.
- Direct shredder recycling**
Further reduce granulate fed through a high-capacity Conair shredder like the SHX.
- Film and sheet infeed**
Feed sheet up to 5/16-inch {8 mm}.
- Blower**
Transport the granulate produced to a dust separation system, hopper or other container. Available with or without sound insulating enclosures.
- Cyclone**
Separate air from the granulate produced by the CUP. The cyclone's air outlet can be provided with a filter for dust.
- Open 3-blade rotor**
Maintain cooler cutting during large, taxing jobs. (Available on CUP-36 and CUP-48 only.)

MODELS	CUP-36	CUP-48	CUP-60
Performance characteristics			
Rotor diameter inches {mm}	12 {300}	12 {300}	12 {300}
Rotating knives	6	8	10
Fixed knives	6	6	9
Standard motor hp {kW}	10 {7.5}	15 {11}	15 {11}
Motor options hp {kW}	10 {7.5}, 15 {11}, 20 {15}, 25 {18.5}, 30 {22}, 40 {30}		
Standard screen diameter inches {mm}	1/4 {6}		
Screen diameter options inches {mm}	5/32 {4}, 5/16 {8}, 3/8 {10}, 1/2 {12}		
Throughput capacity* lbs/hr {kg/hr}	up to 1750 {800}	up to 2200 {1000}	up to 2600 {1200}
Dimensions inches {mm}			
Height	23.5 {600}	23.5 {600}	23.5 {600}
Height with standard infeed tray	31.5 {800}	31.5 {800}	31.5 {800}
Length	27.5 {700}	27.5 {700}	27.5 {700}
A - Infeed width	35 {900}	47 {1200}	59 {1500}
B - Total width	79 {2000}	90 {2300}	102 {2600}
Weight lb {kg}			
Installed	2600 {1200}	3000 {1350}	3300 {1500}

